

Converting PHII, PH, PHC, CPII and CP model toilets to **FRESH HEAD** model toilet (2500RFK)



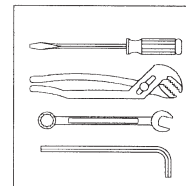
Read through the entire instruction sheet before beginning. If you do not fully understand the repair procedure, or doubt your ability to complete it, call a qualified service technician.



Flush 4 to 5 clean flushes through toilet before beginning to work on unit.



WARNING:
Shut-off:
• Thru-hull fittings
• Line valves
Before beginning.



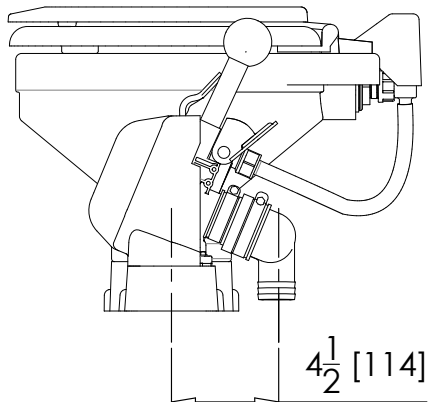
Tools you will need:
• 3/8" nut driver
• Channel lock pliers

PREPARATION

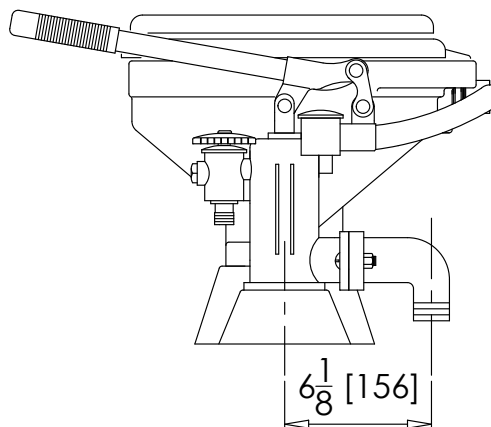
- Flush toilet until clean, Shut off seacock and flush to remove any remaining water.
- Disconnect inlet hose and discharge hoses from pump.

Note:

1. Seawater inlet line will not be used. Close and secure intake seacock.
2. If discharge hose goes downward through deck, the hole in the decking may need to be modified. (see fig 1). Fitting can be rotated to allow sideways discharge.



FRESH HEAD

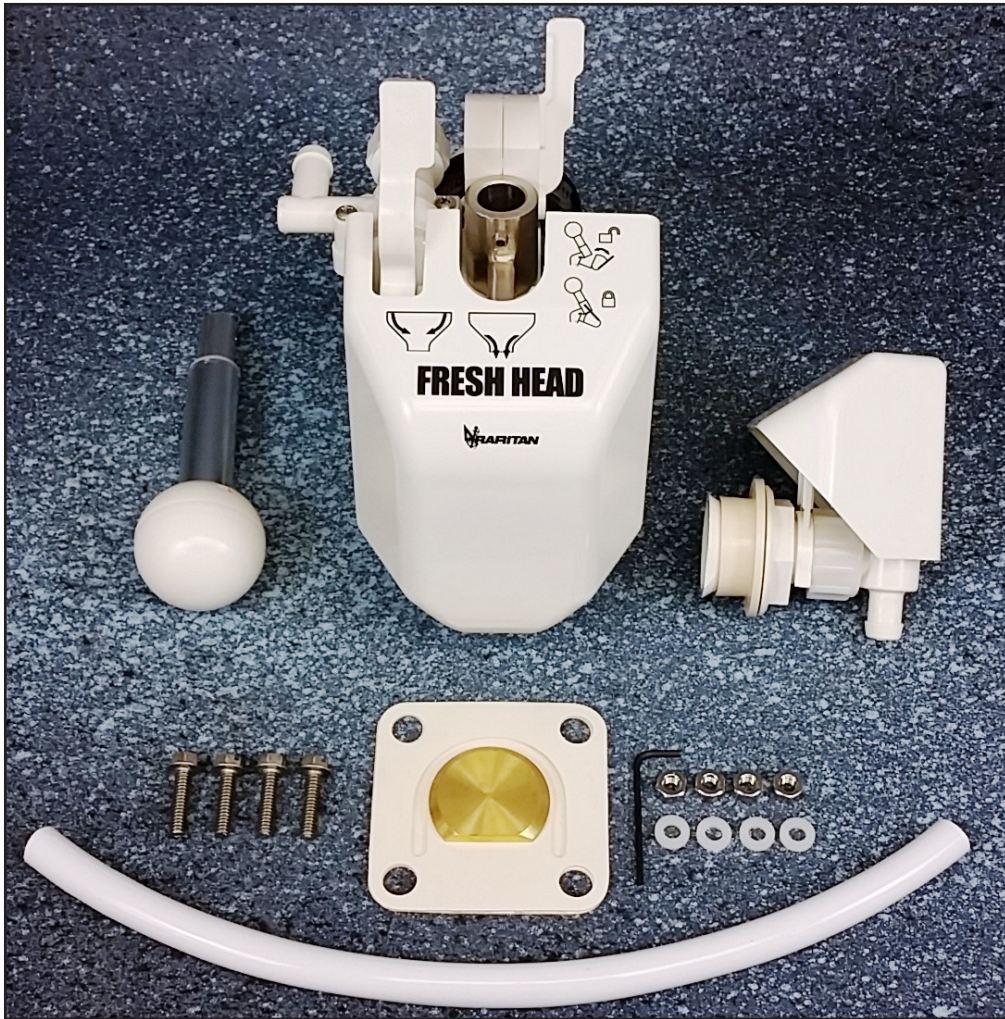


PH series Toilet

FIG 1

Parts included in 2500RFK:

Part#	Description	Part#	Description
25200	Pump Assy	25221	Handle assy.
1228CW	Flapper Valve Assy.	FT001	Handle screw key
1236W	Spud Assy.	PLH-50P	Hose inlet 1/2"
168006	Atmospheric breaker cover	F099	1/4" x20 x1" screw
221300	Atmospheric Breaker	1226C	Flapper valve washer
221331	Breaker O-ring	1226B	Nut 1/-20 Hex 18-8 SS
25214	Pump Cover	25309	Nylon nut

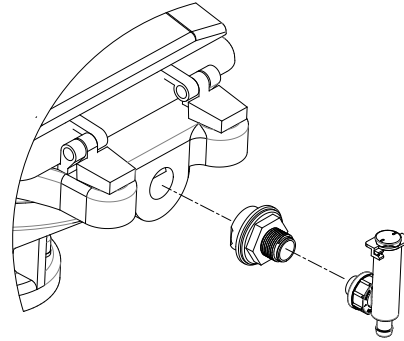


Step 1

- Remove pump (PHII or others) from the base.

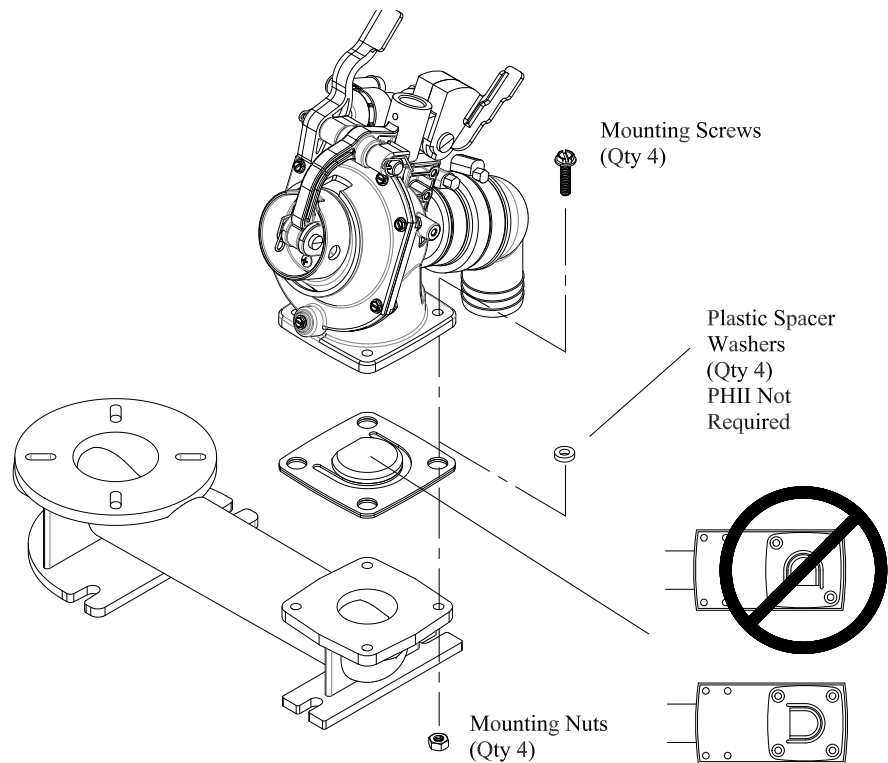
Step 2:

- Remove the spud from the bowl
- Install new spud on the bowl
- Install vacuum breaker



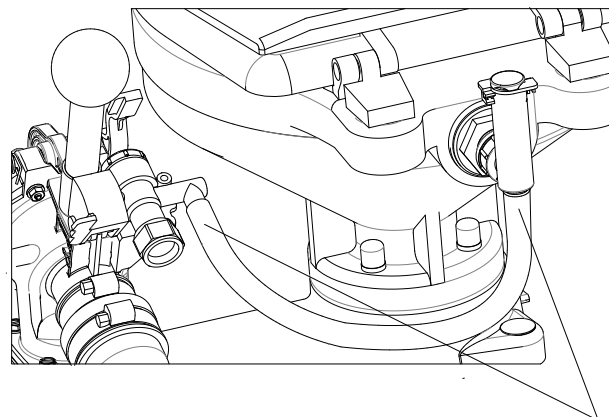
Step 3:

- Install pump and the flapper valve to the base
- Use 1228C plastic washer if needed. NOTE: Bases that have the washer already molded into the base do not require the 1228C
- Install flapper with correct orientation



Step 4:

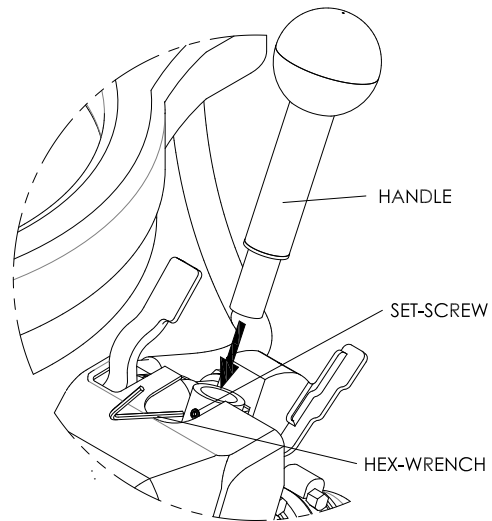
- Install new 1/2" hose from inlet valve outlet to vacuum breaker. NOTE: Length of hose can be shortened if needed



1/2"
HOSE

Step 5:

- Install pump handle using hex wrench provided



Step 6:

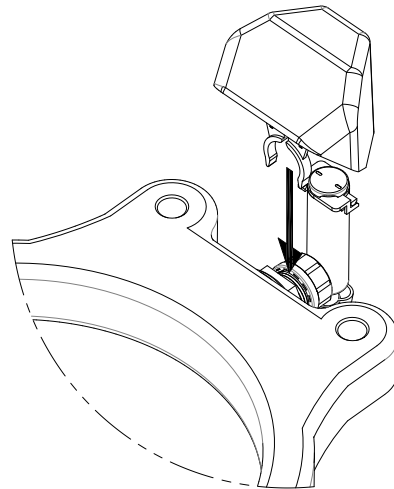
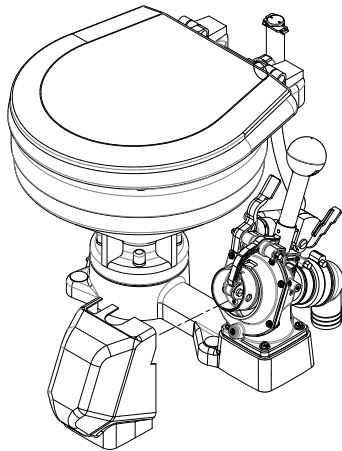
- Connect intake water supply line and discharge hose (Refer to Fresh Head Manual)

Step 7:

- Turn on water supply, operate toilet (Refer to Fresh Head Manual) and check for leaks.

Step 8:

- Install pump cover and vacuum breaker cover



For installation plumbing, operation, specific warnings as well as Limited Warranty Terms and Conditions - Please refer to Toilet Manual



530 Orange Street, Millville, NJ 08332 USA
Telephone: 856 825-4900 FAX: 856-825-4409
www.raritaneng.com
Southern Office and Plant:
3101 SW Second Avenue, Fort Lauderdale, FL 33315 USA
Telephone: 954-525-0378 FAX: 954-764-4370