

Raritan Icerette : Operation and Servicing

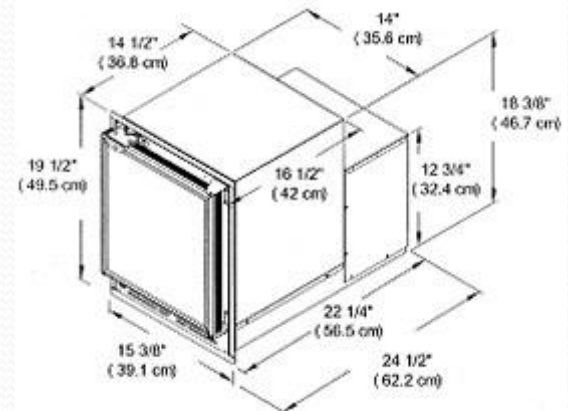
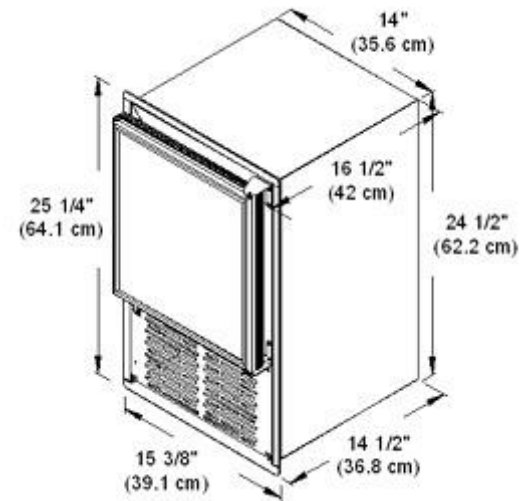


Icerette
AUTOMATIC ICE CUBE MAKER



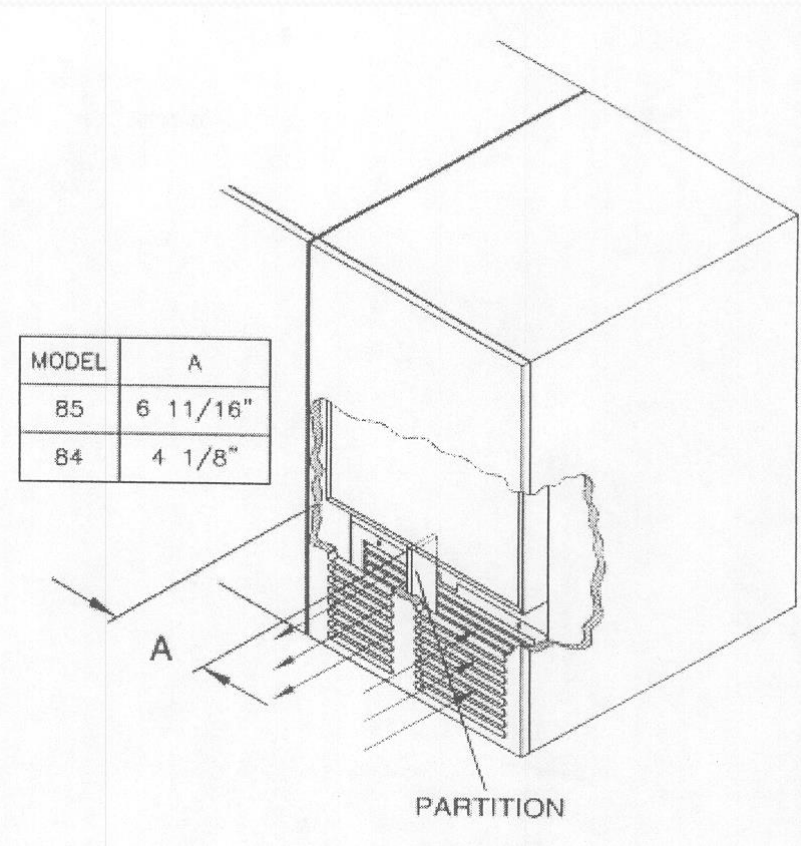
Icerette Introduction

- Features wrap around evaporator coil
- Produces up to 22lbs
- Available in two sizes
- Positive latching system
- No drain required
- Highest Quality marine components and hardware
- Available in 120 or 240 VAC
- All units assembled by hand and individually tested
- One-Year Warranty



Installation

- Mounting:
 - Built-in units require $\frac{3}{4}$ " clearance behind unit
 - Proper Ventilation
 - Behind Door Applications
 - Must be secure and level
 - Easy removal



Installation Continued...

- Plumbing:
 - Minimum 22 PSI
 - 1/4" Polyethylene Tubing
- Wiring:
 - No extension cords
 - 120 60HZ AC or
 - 240 50HZ AC
- Maintenance:
 - Vacuum condenser
 - Defrost when necessary
 - Prop door with link(IM135)
- Winterization:
 - Do not use Anti-Freeze
 - Turn off water
 - Disconnect Water Lines
 - Prop door with link (IM135)



Model & Serial# Identification

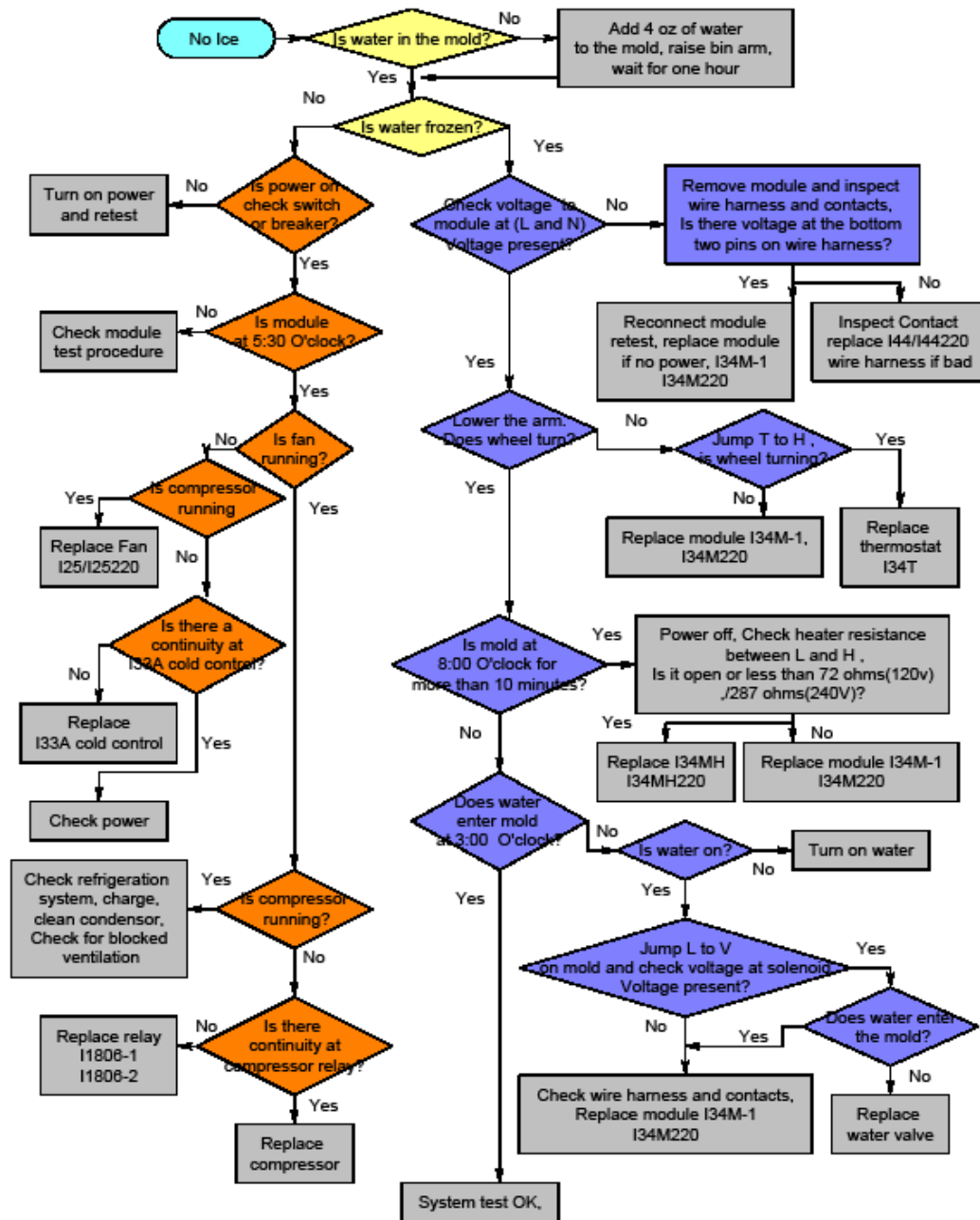
- Serial Numbers are located in two places:
 - Behind Grille
 - On back panel of unit
- Provides important information



Voltage

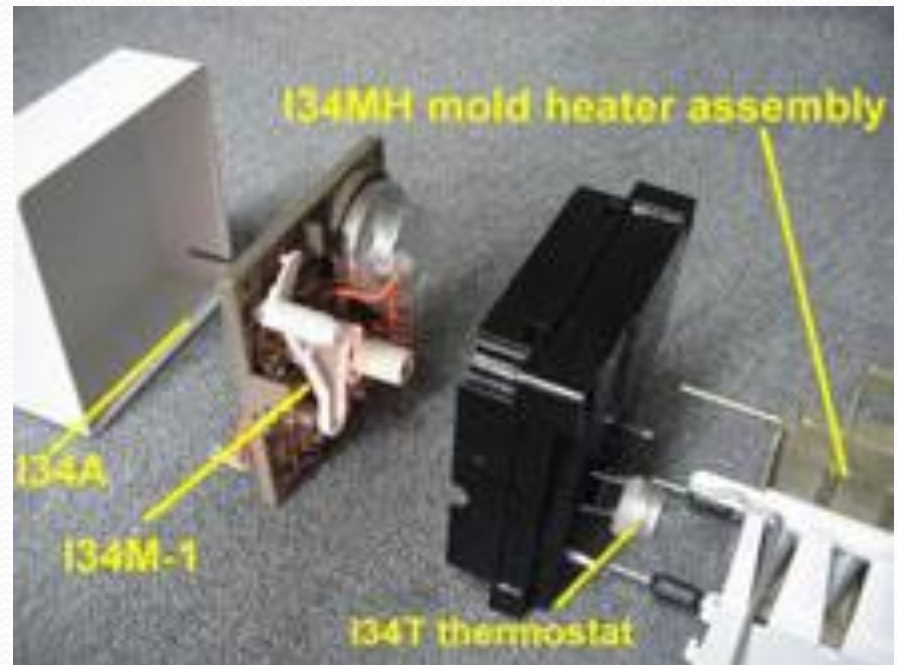
Month/Year of
Manufacture

Compressor
Ratings

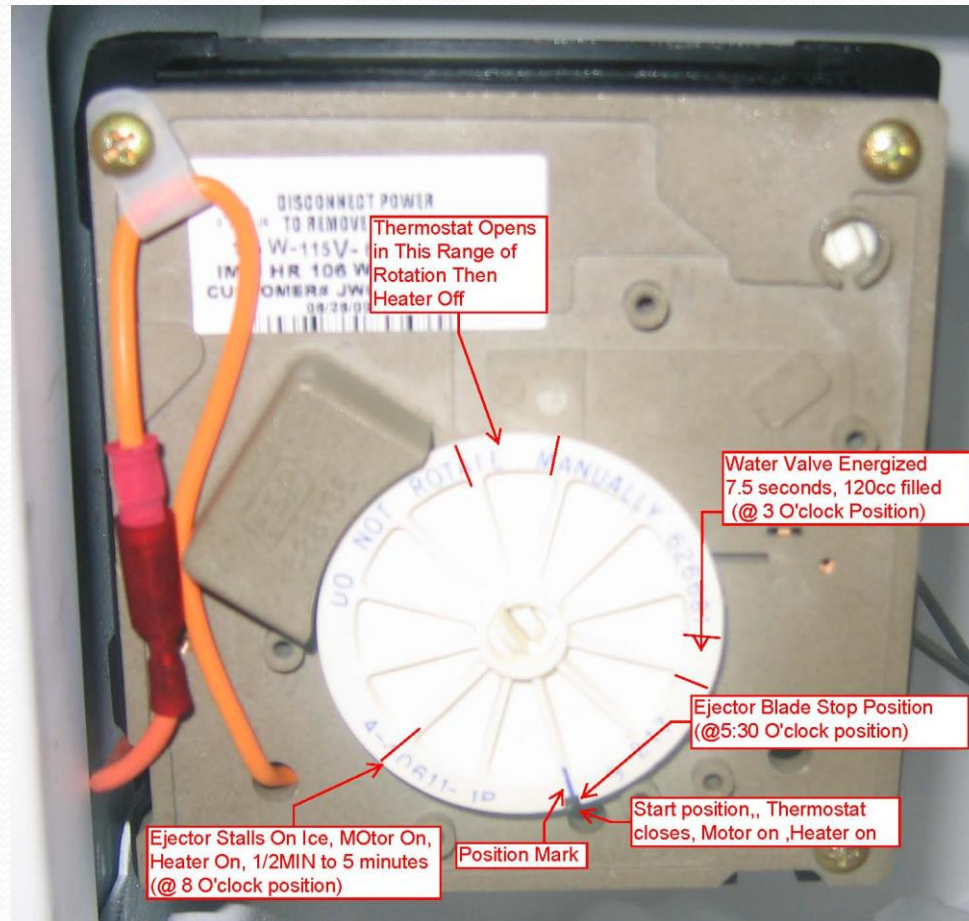


Troubleshooting Flow Diagram

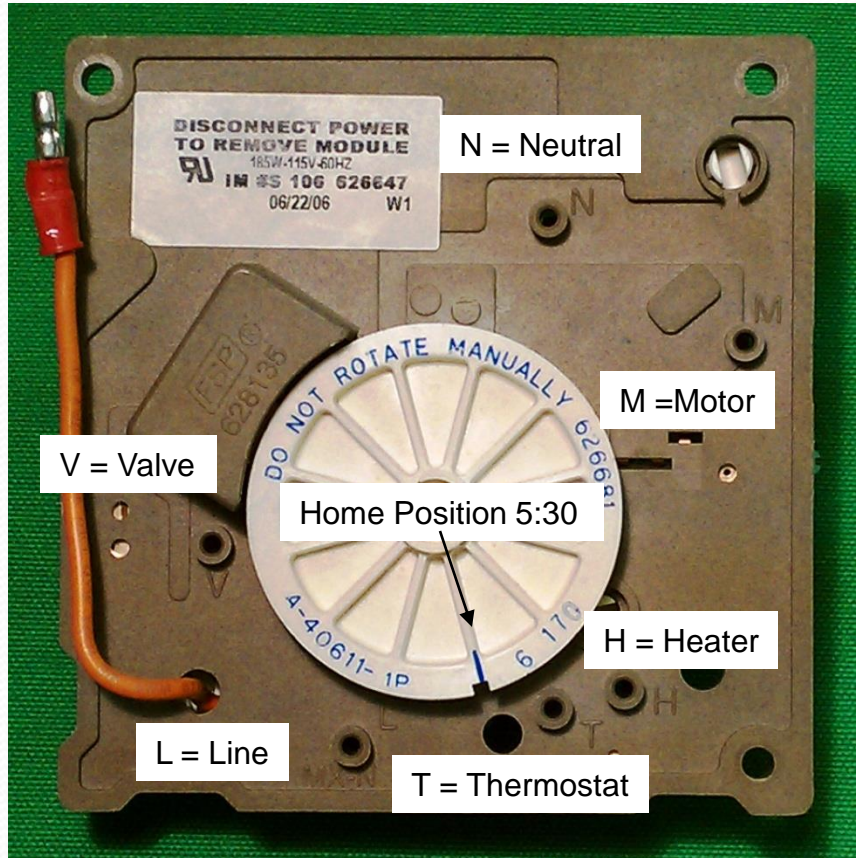
Icemaker Mold Ejection Process



Icemaker Module Operation

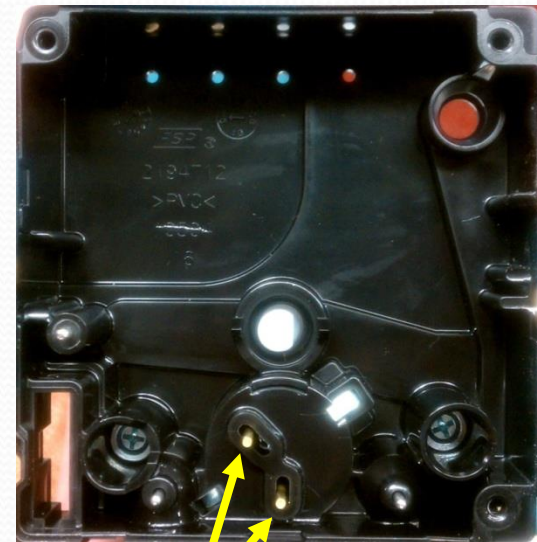
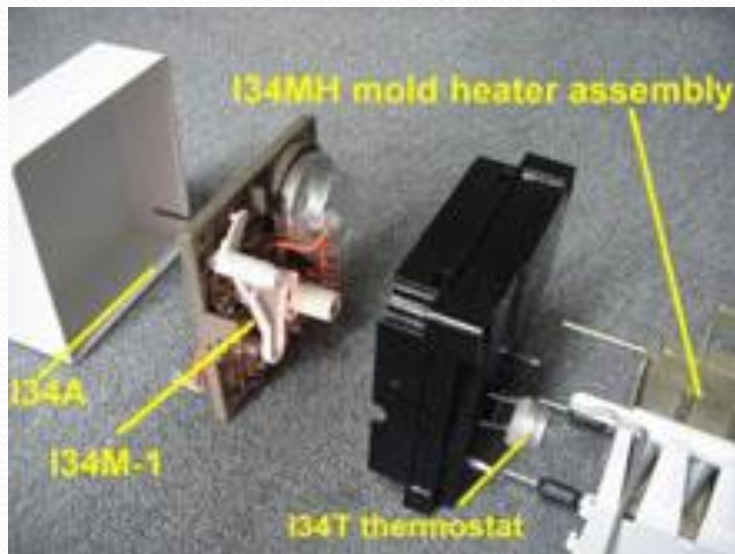


Icemaker Module Testing Part# I34M-1/I34M220



Icemaker Mold Thermostat Testing

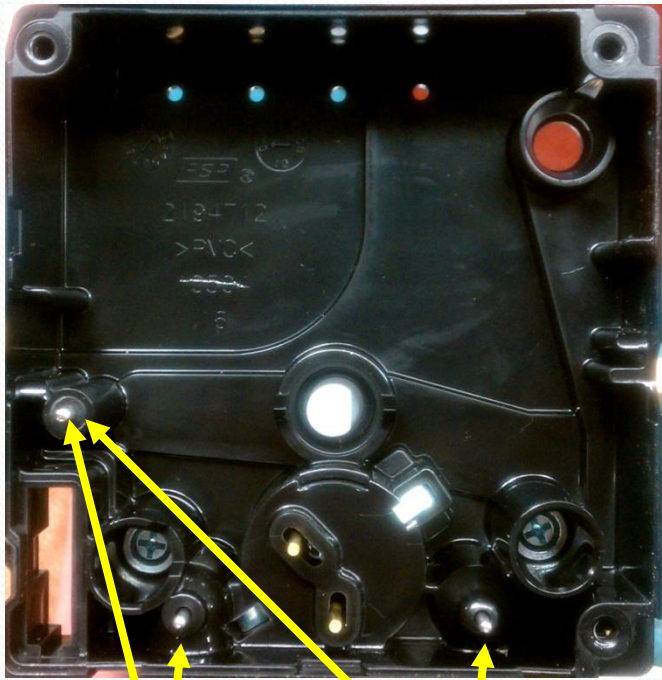
Part# I34T



Thermostat



Icemaker Mold Testing Part# I34MH/I34MH220



Check for direct short

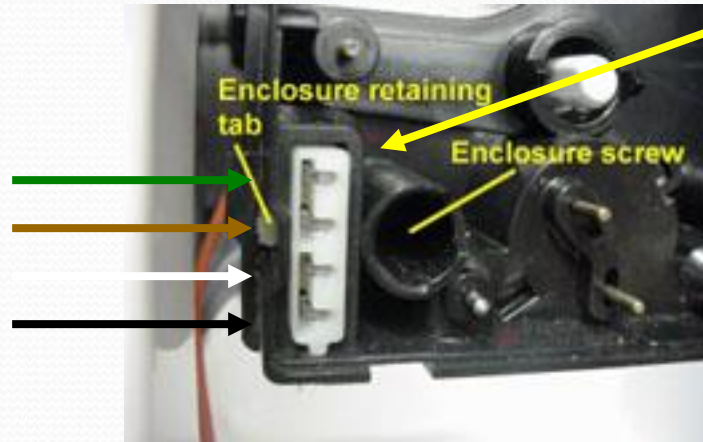


Check Resistance

Wire Harness Testing

Part#I44/I44220

Inspect Contacts

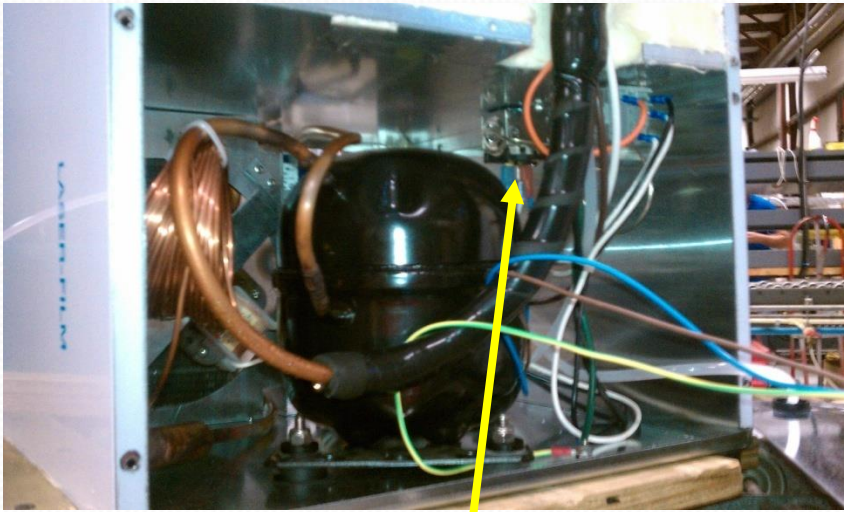


Green = Ground
Brown = Water Valve "Hot"
White = Neutral
Black = Line in

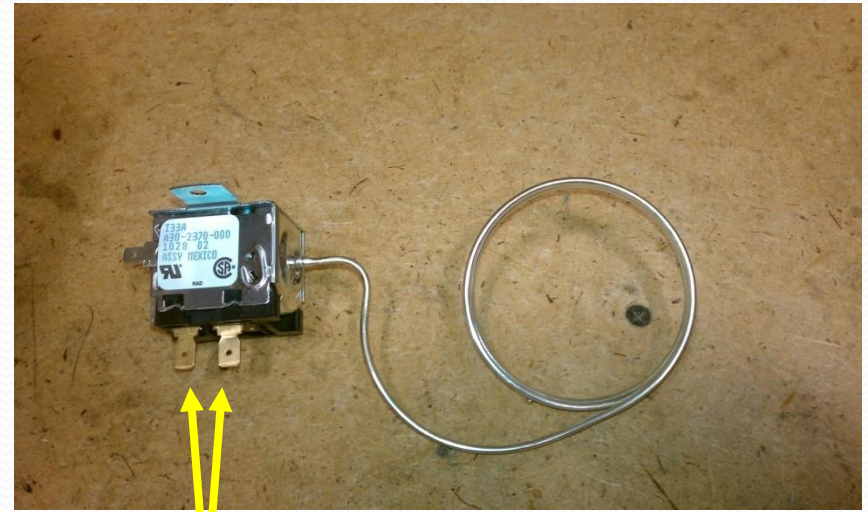
In line Fuses



Cold Control Testing Part# I33A



Location

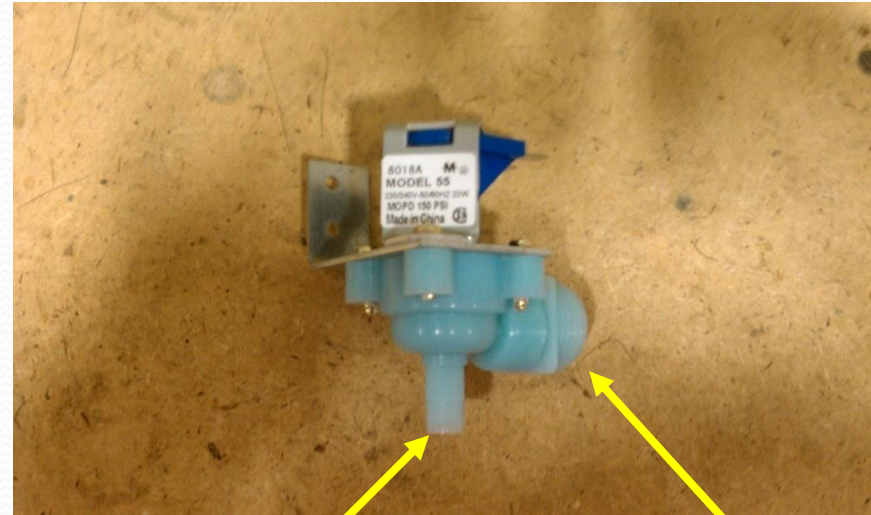


Continuity Test – Normally Closed

Water Solenoid Part# I34B/I34B220



Location



Water to Mold

Water Supply

Condenser Fan Motor I25/I25220



Compressor Components

Compressor

I1800A-1W (120)

I1800A-2W (240)

Overload Protector

Start Relay (Set)

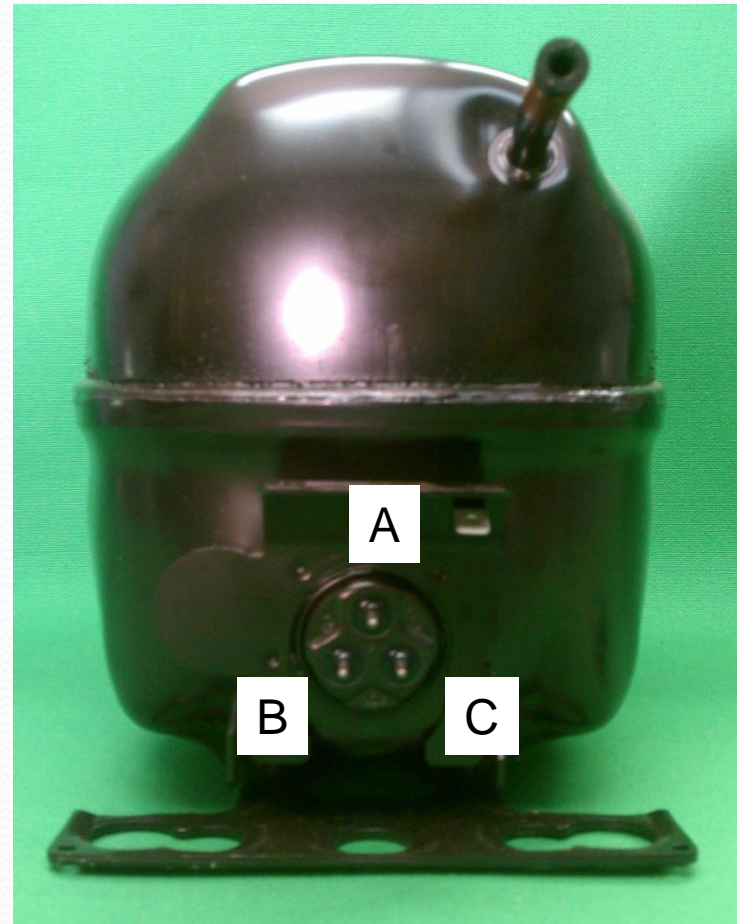
I1806-1 (120 VAC)

I1806-2 (240 VAC)



Electrical Compressor Checks

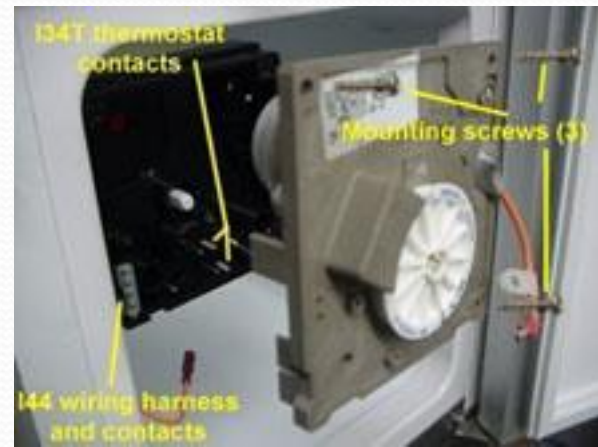
- Continuity between all 3 pins
- Check each pin to ground
- Resistance checks
 - $(A\&B) + (A\&C) = (B\&C)$
- Example:
 - If $A \& B = 33$
 - And $A \& C = 17$
 - Then $B \& C$ will = ~ 50
- Relay Checks
 - Continuity Only



Evacuation and Charging

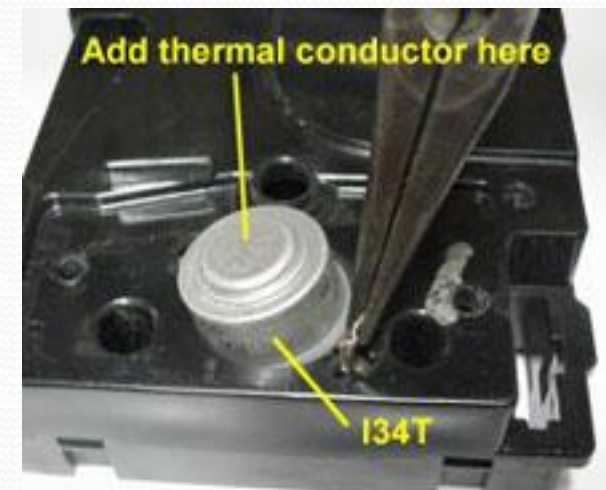
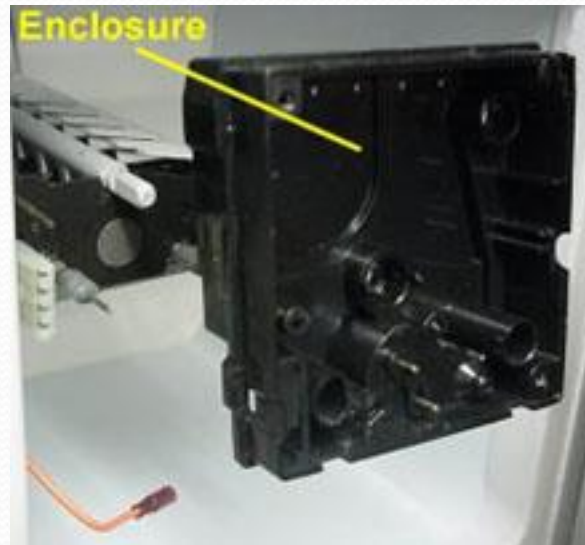
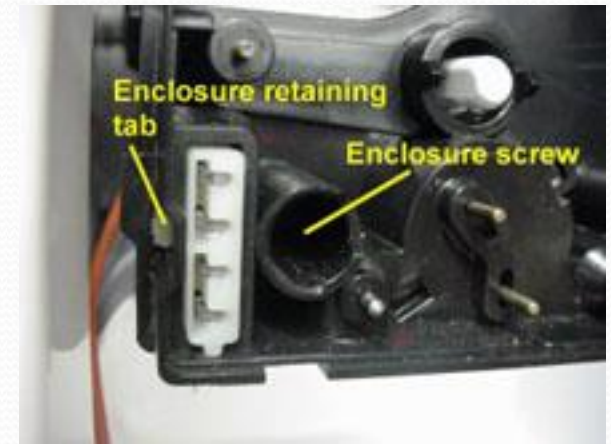
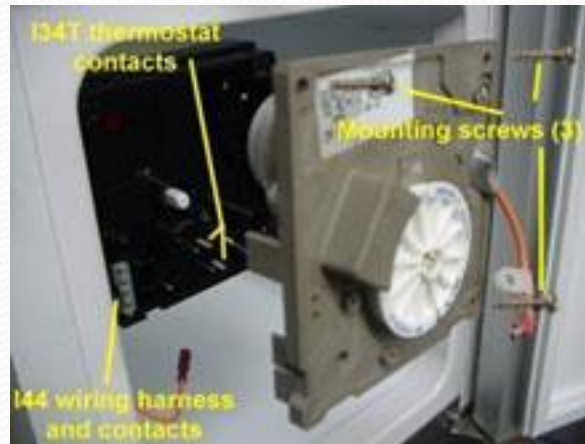


Icemaker Module Replacement I34M-1/I34M220

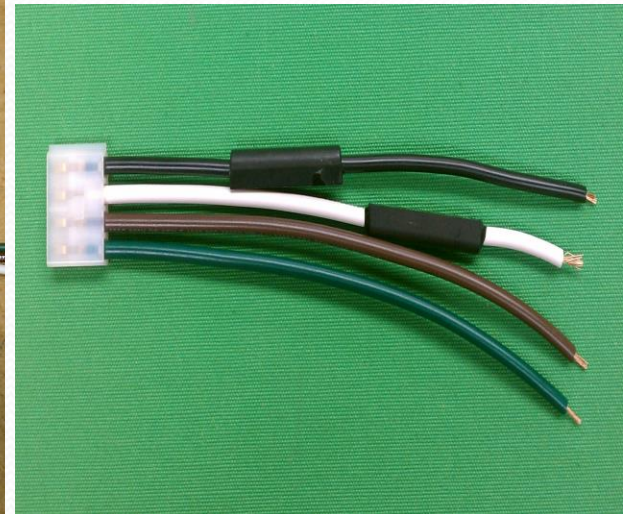
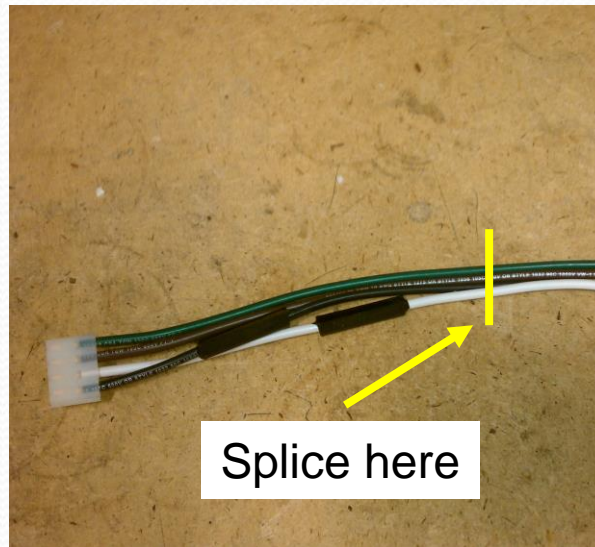
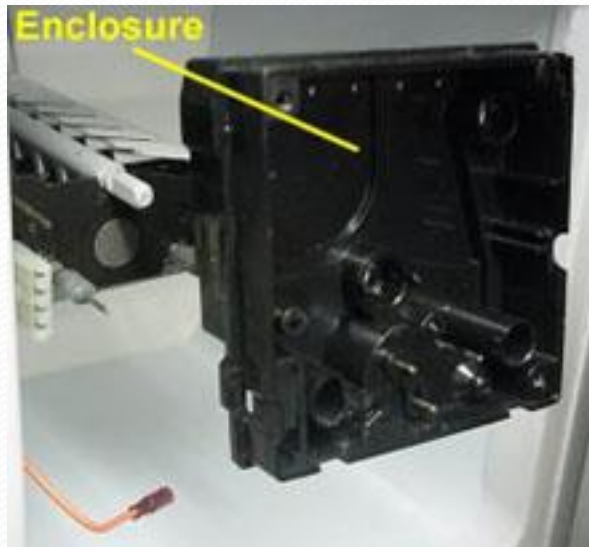
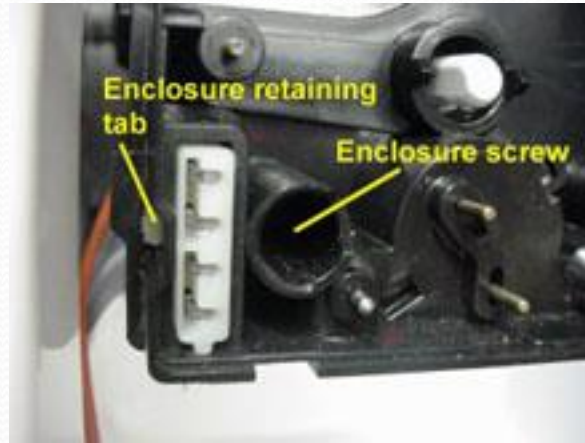
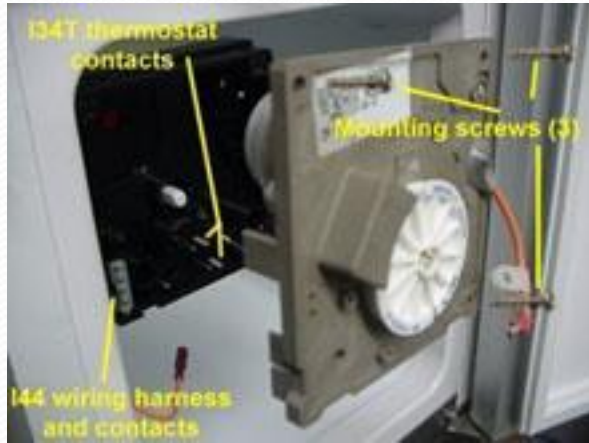


Icemaker Thermostat Replacement

Part# I34T



Wire Harness Replacement Part# 144/I44220



Icemaker Mold Replacement Part# I34MH/I34MH220



Frequently Asked Questions

http://www.raritaneng.com/information/faq_topics/faq_icerette.html

- Ice produces at a very slow rate
- Cabinet has excessive frost
- Icemaker does not get cold enough to freeze cubes
- Water overflows ice mold cavity
- Ice in bucket forms a solid block of ice
- How to adjust ice cube size

Contact Us

Raritan Engineering Company Inc

Main Plant:

530 Orange Street

Millville, NJ 08332

Phone:(856)-825-4900

Fax: (856) 825-4409

Website:

www.raritaneng.com

Sales:

sales@raritaneng.com

Technical Support:

techsupport@raritaneng.com

Southern Office:

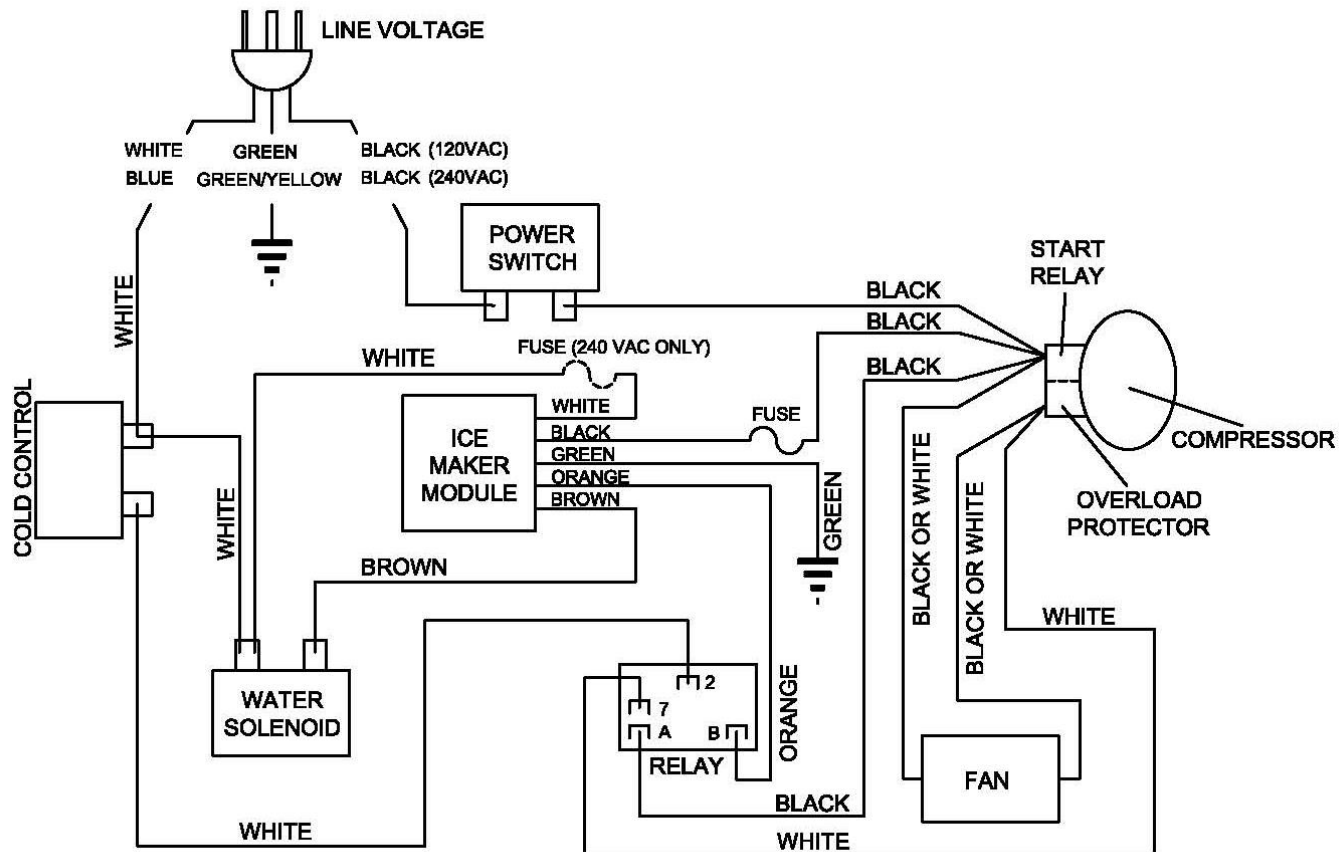
3101 SW Second Ave.

Fort Lauderdale, FL 33315

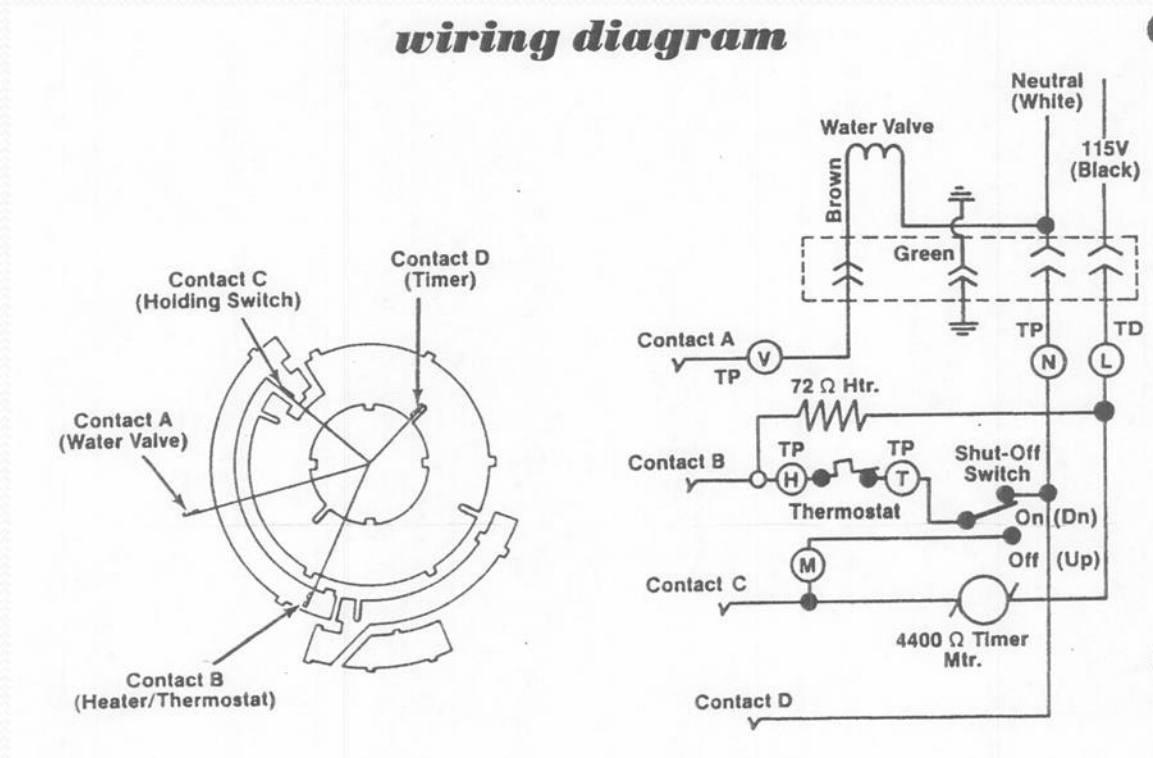
Phone: (954) 525-0378

Fax: (954) 764-4370

Icerette Wiring Diagram



Icerette Module Diagram



Icer-ette Ordering Instructions

To find the correct part number for your application please read the following instructions.

Column 1

enter (84) = Model 84 short version

enter (85) = Model 85 tall version

*check current dimensions to order the correct size and model number

Column 2

enter (B) = built in has flange

enter (BH) = flange with holes

enter (E) = flush mount flange

enter (EH) = flush mount flange with holes

enter (F) = free standing without flange

Column 3

enter (5) = Stainless steel

Column 4

enter (15) = stainless steel door

enter (16) = white vinyl door

enter (17) = black vinyl door

enter (18) = neutral vinyl door

enter (19) = antique white vinyl door

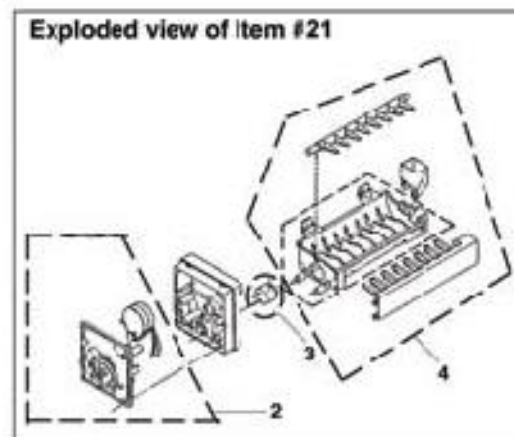
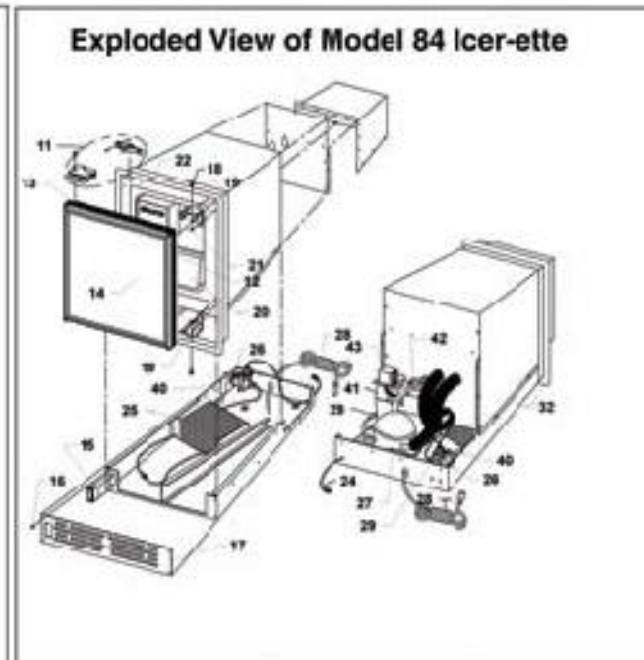
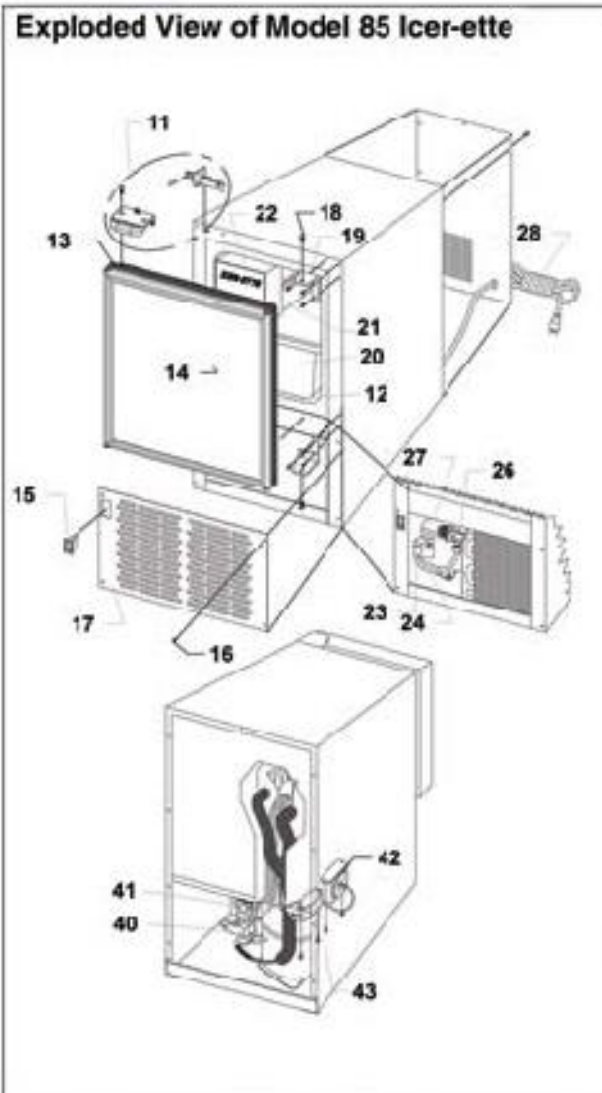
Column 5

enter (1) = 120 volts AC

enter (2) = 240 volts AC

We want to make sure you get the most convenience for your money. Please feel free to contact us with questions, or to review additional features available for your custom application.

84 Icer-ette short	B Flange	Cabinet type 5 Stainless steel	Door Type		1 120V AC 2 240V AC
85 Icer-ette tall	BH Flange with holes		15 Stainless steel	16 White	
	E Flush Mount Flange		17 Black	18 Neutral	
	EH Flush Mount Flange with holes		19 Antique white		
	F Free-standing-no flange				



Icer-ette Parts List

Item #	Description	Part # Model 84	84 240v	Model 85	85 240v
1	Wiring Harness (not shown)	I44	I44220	I44	I44220
2	Module Assembly	I34M-1	I34M220	I34M-1	I34M220
3	Thermostat	I34T	I34T	I34T	I34T
4	Ice Maker Mold with Heating Element	I34MH	I34MH220	I34MH	I34MH220
11	Black Handle Latch Assembly	IM135	IM135	IM135	IM135
12	Door Gasket	IM89	IM89	IM89	IM89
13	Black Nylon Snap Bushing	I2101	I2101	I2101	I2101
14	Stainless Steel Door Assembly	IM215W	IM215W	M215W	IM215W
	White Laminate Door Assembly	IM216W	IM216W	M216W	IM216W
	Black Laminate Door Assembly	IM217W	IM217W	M217W	IM217W
	Neutra White Laminate Door Assembly	IM218W	IM218W	M218W	IM218W
15	On-Off Rocker Switch	I37S	I37S	I37S	I37S
16	3-32 x 1/2 phi pan head stainless steel screw	I73	I73	I73	I73
17	Grille	IM9S01	IM9S01	M901	IM901
18	Door hinge top screw, 1/4-28 x 1/2 hex head	F181	F181	F181	F181
	Door hinge bottom screw, 1/4 28 x 5/8 hex head	CH61	CH61	CH61	CH61
19	Hinge Set, Top & Bottom	IM13W	IM13W	M13W	IM13W
20	Ice Bucket	I90	I90	I90	I90
21	Ice Maker	I34W	I34W220	I34W	I34W220
22	Ice Maker Front Cover	I34A	I34A	I34A	I34A
23	Compressor Relay w/overload protector	I1806-1	I1806-2	I1806-1	I1806-2
24	Water Line Tubing Assembly	I93SW	I93SW	I93W	I93W
26	Water Solenoid Valve	I34B	I34B220	I34B	I34B220
27	Compressor w/hardware and drier (includes #40)	I1800A-1W	I1800A-2W	I1800A-1W	I1800A-2W
28	Power Cord	I41	I41220	I41	I41220
29	Service Valve w/tube	I101	I101	I101	I101
32	Flange	IM99S	IM99S	M99	IM99
	Flange w/Holes	IM99SH	IM99SH	M99H	IM99H
40	Drier	I30A01	I30A01	I30A01	I30A01
41	Motor and/or Blower Assembly	I28	I28220	I28	I28220
42	Cold Control	I33A	I33A	I33A	I33A
43	Relay	I52	I52220	I52	I52220