



PH SUPERFLUSH
THE VALUE IS IN THE DESIGN!

NEW!!!

As a premier manufacturer of marine products, Raritan Engineering Co. Inc, is proud to introduce its latest product offering, the PH SuperFlush. Our latest configuration helps customers easily switch from competitive models and begin taking advantage of the robust and dependable design of our world renowned PHII pump. Every unit is individually assembled and tested by hand in the USA.

- **Upgrading to PH SuperFlush is fast and easy!** Mounting base configuration matches the bolt pattern used on most competitive toilets.
- **Clear the bowl with less strokes!** Our robust double-action piston pump is 66% larger than competitive models making its use quick, easy and efficient.
- **Trouble free operation!** Proprietary full size 1½" joker valve is specially designed to maintain pump performance.

Additional benefits include:

- Effortless pumping! Powerful telescopic lever style handle makes pumping a breeze, even in the most challenging plumbing installations.
- Superior strength! Our engineered polymer pump construction is the strongest on the market.
- No more slamming seats! Soft close seat prevents annoying seat slamming and includes a unique feature that locks the seat in place while boat is rocking.

All units have a dry flush option and may be mounted above or below the waterline. Reversible pump mounting available for left hand operation. Available in both Marine and Household bowls sizes.

Prefer to use your old bowl and seat? Retrofits are available – see reverse for part# details

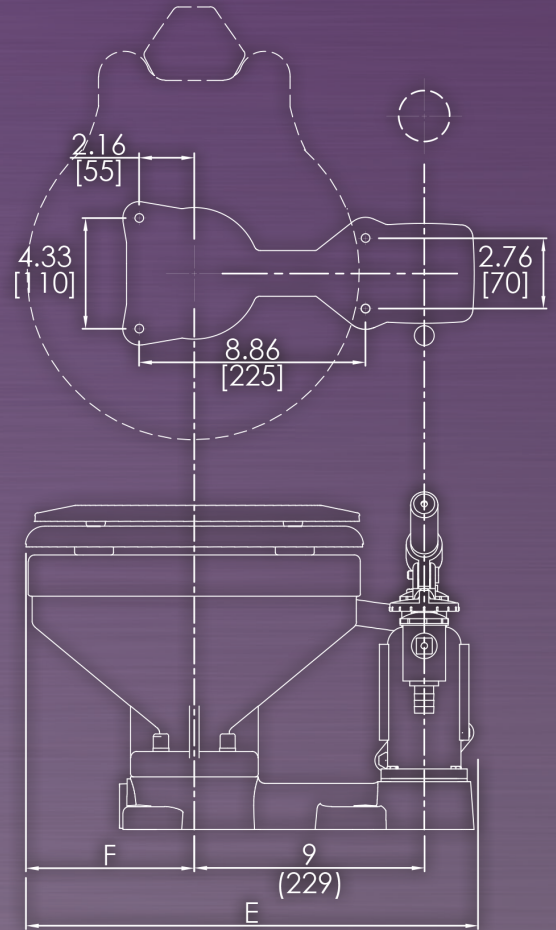
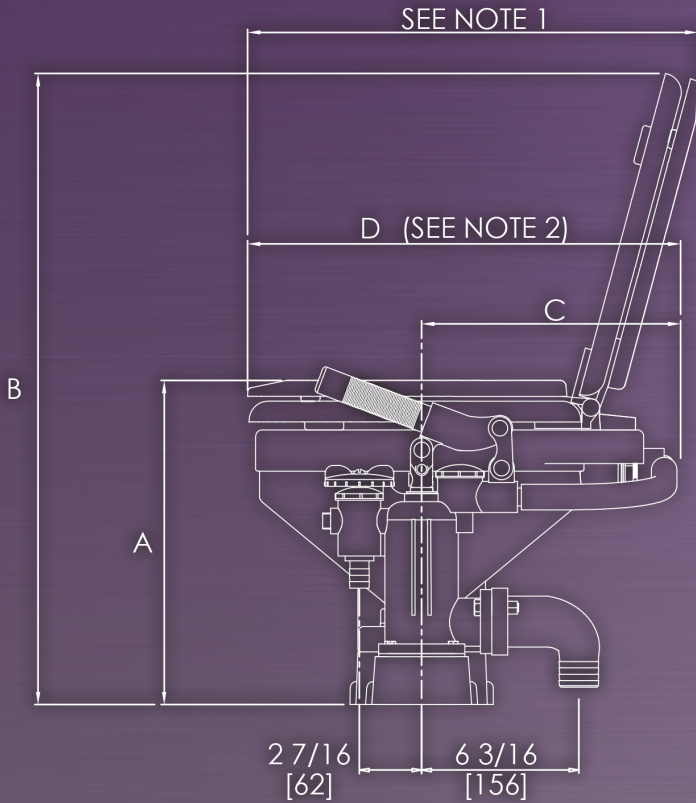
Most items are in stock and available to ship within 24 hours.



Raritan products are chosen by powerboat, sailboat, houseboat, and RV owners and manufacturers the world over for their dependability, environmental responsibility, simplicity of installation, operation, and maintenance. The product line includes house-hold style toilets, marine toilets, marine sanitation devices and systems, cleaning products, icemakers, water heaters, and rudder angle indicators.

To view our complete line as well as obtain installation and servicing guides: visit www.raritaneng.com

DRAWINGS:



BOWL TYPE	A	B	C	D	E	F
MARINE	13 (330)	24 3/4 (629)	10 3/8 (264)	17 1/4 (438)	17 3/4 (451)	6 1/2 (165)
HOUSEHOLD	13 1/8 (334)	27 7/8 (708)	11 1/2 (292)	20 (508)	18 1/4 (464)	7 (179)

PLUMBING:

INCHES (MM)

Maximum Lift	4' (1.2m)
Max Discharge Loop Height	15' (4.6m)
Inlet Port Size	3/4"
Discharge Port Size	1 1/2"

NOTE:

1. THE SEAT WILL OPEN WITHIN THE DEPTH OF THE BOWL (D), HOWEVER, IT MAY BE DESIRABLE TO INCREASE THIS ANGLE BY ALLOWING MORE ROOM AT THE BACK OF THE BOWL FOR THE SEAT TO OPEN.
2. MARINE STYLE BOWL, D DIMENSION IS 17 3/8 [442MM] WITH HANDLE EXTENDED.
3. DIMENSIONS ARE FOR REFERENCE AS VITREOUS CHINA DIMENSIONS MAY VARY +/- 5%.

ORDERING INFO:

- P101 = Marine size bowl and slow close seat
 P102 = Household size bowl and slow close seat
 P103 = Lower base assembly, pump and base ONLY



www.RARITANENG.com

Raritan Engineering Company Inc.

530 Orange Street

Millville, NJ 08322, USA

Telephone: 856-825-4900 | Fax: 856-825-4409

e-mail: info@raritaneng.com

Southern Plant and Office

3101 SW 2nd Avenue

Ft. Lauderdale, FL 33315, USA

Telephone: 954-525-0378 | Fax: 954-764-4370