



SeaEra

High quality electric marine toilet with proven reliability that meets the demands of real world boating and your budget

Household size bowls, fresh or raw water usage and 90 degree discharge options to meet any installation requirement

Integral Intake Model (160MI* or 160HI*)

- Quick and easy raw water flush installation

ALL SeaEra Models

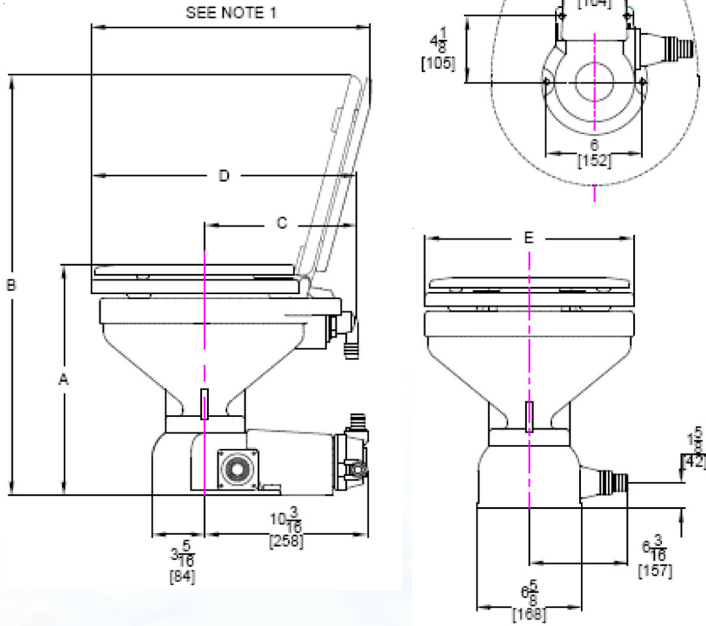
- Powerful flushing action with advanced design features
- An excellent replacement for less durable, non-Raritan units
- Low water usage, as little as 1 quart per flush
- Bowl can be rotated 90° for mounting in confined spaces
- Full size joker valve reduces clogs
- Stainless steel macerating blade
- Household or marine size bowls available
- Self-priming inlet pump can run dry
- Separation of intake and discharge means dirty water cannot enter bowl if seal fails.
- Two year warranty
- Available for 12, 24, 32V DC or 120/240V AC.

Raritan products are chosen by powerboat, sailboat, houseboat, and RV owners and manufacturers the world over for their dependability, environmental responsibility, simplicity of installation, operation, and maintenance. The product line includes house-hold style toilets, marine toilets, marine sanitation devices and systems, cleaning products, icemakers, water heaters, and rudder angle indicators.

To view our complete line as well as obtain installation and servicing guides: visit www.raritaneng.com

SeaEra

Integral Sea Water Model



BOWL TYPE	A	B	C	D	E
MARINE	14 1/2 (368)	26 1/2 (673)	10 3/8 (264)	17 1/4 (438)	13 (330)
HOUSEHOLD	14 7/8 (378)	29 5/8 (752)	11 1/2 (292)	20 (508)	14 3/8 (365)

INCHES
(MM)

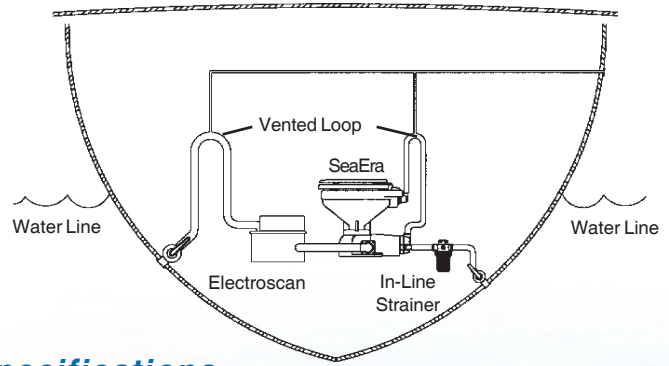
NOTE:
 1. THE SEAT WILL OPEN WITHIN THE DEPTH OF THE BOWL (D). HOWEVER, IT MAY BE DESIRABLE TO INCREASE THIS ANGLE BY ALLOWING MORE ROOM AT THE BACK OF THE BOWL FOR THE SEAT TO OPEN.
 2. DIMENSIONS ARE FOR REFERENCE AS VITREOUS CHINA DIMENSIONS MAY VARY +/- 5%.

The SeaEra is an economical electric macerating toilet that fits into confined spaces. This toilet was designed to meet the needs of boaters.

Engineering has developed a new built-in discharge fitting that can accept either 1 1/2" (38mm) or 1" (25mm) discharge lines without the need for an adapter. The SeaEra's discharge pump can handle a vented loop with a maximum height of five feet (1.52m) and utilizes a full-sized joker valve to help avoid clogging.

The inlet pump can lift water from four feet (1.22m) below the toilet and can be run dry without damaging the pump. To simplify a new installation or a retrofit, water can be routed from either side of the inlet pump using interchangeable 3/4" (19mm) hose barb fittings (two straight and one 90°)

Integral Intake Pump Installation Below Waterline



Specifications

Electrical	18A @ 12V 10A @ 24V 7.5A @ 32V
Inlet Fitting	3/4" (19) Hose Barb
Discharge Fitting	1" (25) or 1.5" (38) hose-straight 1.5" (38) hose-90°
Max Lift	4' (1219)
Discharge ht	9' (2743 vertical / 50' horizontal)
Shipping wt	38-40lb (17-18KG)

Additional parts that are needed for installation: Four stainless steel mounting bolts or lag screws (minimum 1/4" [6mm]) and washers, 1" (25mm) or 1 1/2" (38mm) I.D. discharge hose, 3/4" (19mm) I.D. intake hose, hose clamps, wire, fuses or circuit breakers.

Product Models

160 SeaEra	<input type="checkbox"/> H Household-style, white bowl <input type="checkbox"/> M Marine-size, white bowl <input type="checkbox"/> L Lower Base/Conversion Kit	<input type="checkbox"/> I Integral pump Discharge	<input type="checkbox"/> 0 Straight	<input type="checkbox"/> 12 Specify <input type="checkbox"/> 24 Voltage <input type="checkbox"/> 32 <input type="checkbox"/> 12T 120/240
------------	--	---	-------------------------------------	---

To order the correct unit for your installation make one selection from each column above.

Model sample: 160HI012 - SeaEra, Household-style, Integral pump, straight discharge, 12V

Conversion Kit sample: 160LI012 - SeaEra, Conversion Kit, Integral pump, straight discharge, 12V

Additional models are available. Call Raritan Technical Support for assistance in ordering the model that best suits your application.

For more information contact:

Raritan Engineering Company Inc.
 530 Orange Street
 Millville, NJ 08332, USA
 Telephone: 856-825-4900
 Fax: 856-825-4409
 e-mail: info@raritaneng.com

Southern Plant and Office
 3101 SW 2nd Avenue
 Ft. Lauderdale, FL 33315, USA
 Telephone: 954-525-0378
 Fax: 954-764-4370



raritaneng.com