

# PUSH BUTTON SWITCH

## Wiring Instructions

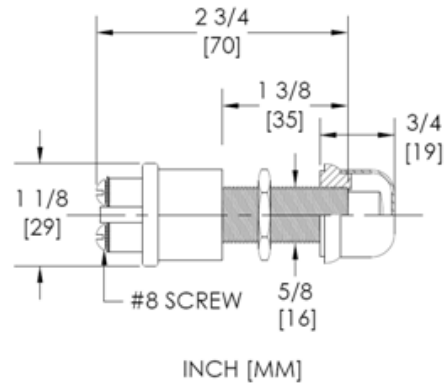
### Part #164000BR

**THE FOLLOWING ARE CAUTIONARY STATEMENTS THAT MUST BE READ AND FOLLOWED DURING BOTH INSTALLATION AND OPERATION.**

**WARNING:** *Raritan Engineering Company, Inc. recommends that a qualified person or electrician install this product. Equipment damage, injury to personnel or death could result from improper installation. Raritan Engineering Company, Inc. accepts no responsibility or liability for damage to equipment, injury or death to personnel that may result from improper installation or operation of this product.*



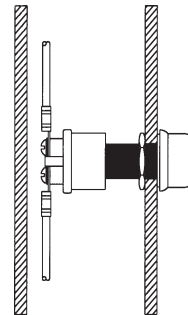
**Push Button switch** allows momentary operation of toilet by pushing button.



### Mounting

- Mount Push Button Switch in an accessible location.
- Make certain wires can be routed to Push Button Switch.
- Wire terminals must have clearance when installed.

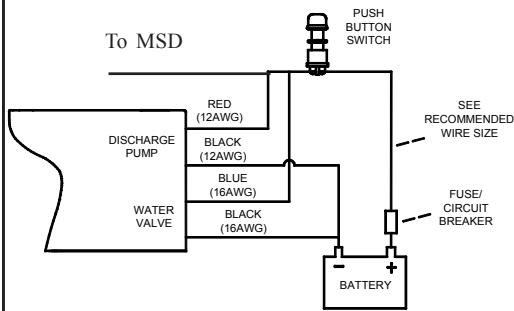
1. Drill 5/8" (16mm) hole.
2. Attach wires to Push Button Switch terminals (see wiring section).
3. Install Push Button Switch through back of mounting surface.
4. Install waterproof nut on Push Button Switch.
5. Secure in place with inner nut.



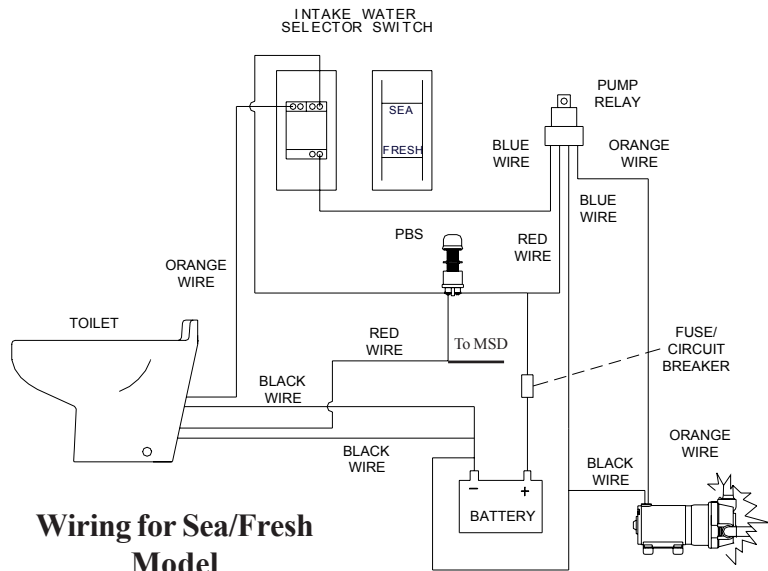
**1/4" min clearance from terminals**

# Wiring

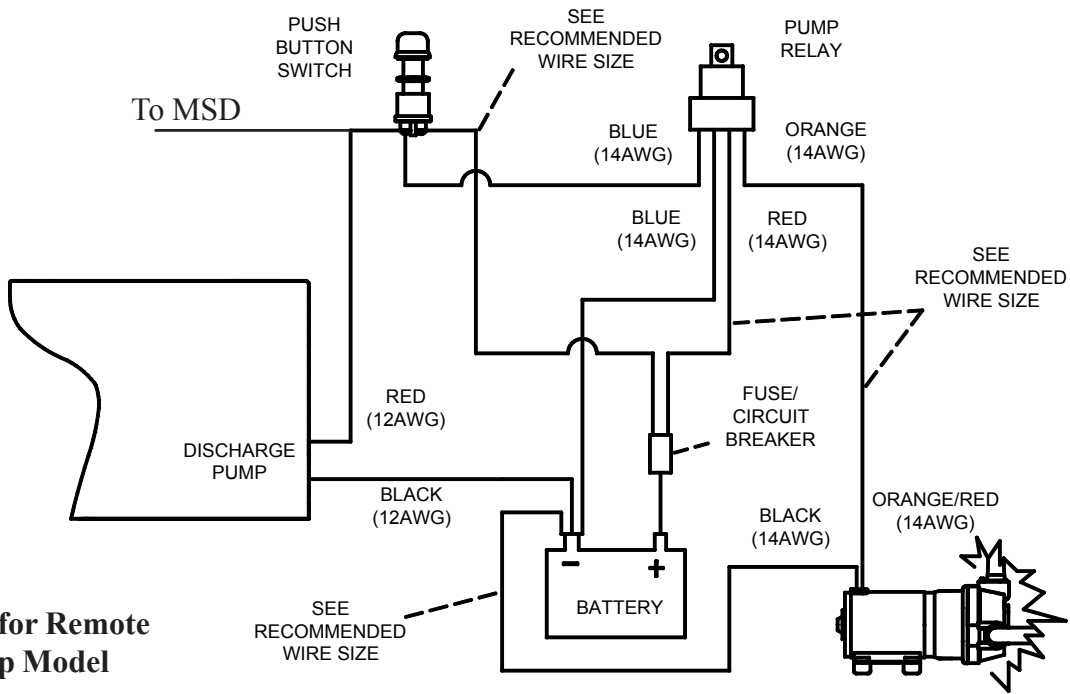
**Please refer to toilet manual for recommended wire sizes and fuse/circuit breaker sizes**



**Wiring for Fresh Water Model**



**Wiring for Sea/Fresh Model**



**Wiring for Remote Pump Model**

**For limited warranty terms and conditions please refer to toilet manual**



530 Orange Street, Millville, NJ 08332 USA  
 Telephone: 856-825-4900 FAX: 856-825-4409  
 www.raritaneng.com  
 Southern Office and Plant:  
 3101 SW Second Avenue, Fort Lauderdale, FL 33315 USA  
 Telephone: 954-525-0378 FAX: 954-764-4370