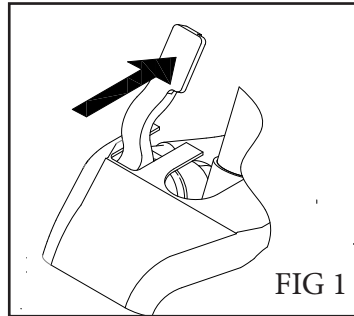


Fresh Head

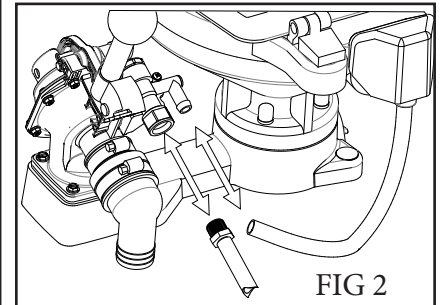
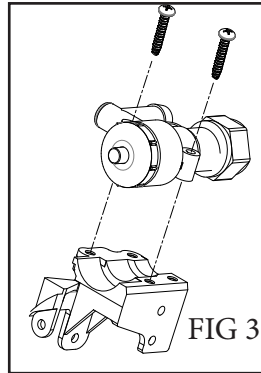
Replacing the Inlet Valve Assembly Part No. 25300

1. Shut off water.
2. Press Lever to relieve pressure.
(See Fig 1)
3. Disconnect inlet hose and hose to the back of the bowl from Valve.
(See Fig 2)
4. Remove two screws holding the Valve and remove Valve.(See Fig 3)



Assembly

5. Install Valve.
 - Pull Lever forward to clear Valve
 - Make certain screw are in forward holes (See Fig 3)
6. Reconnect hoses.
 - Take Care not to over-tighten inlet fitting when installing in Valve.
7. Turn on water and check for leaks.



www.raritaneng.com

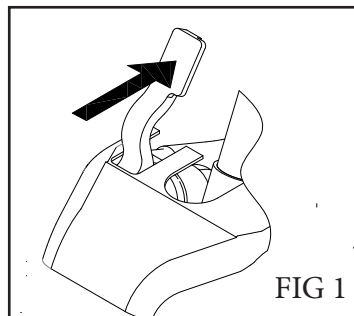
PH: 856 825 4900

L558 vkm1114

Fresh Head

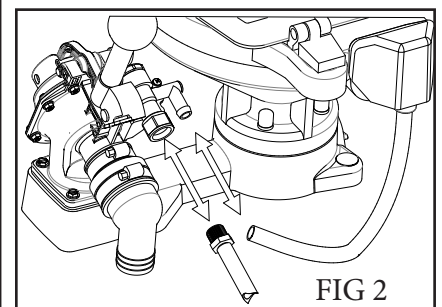
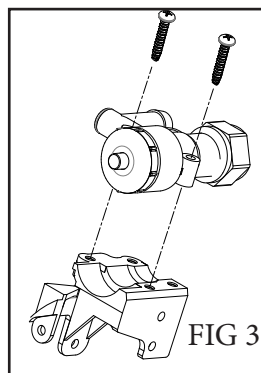
Replacing the Inlet Valve Assembly Part No. 25300

1. Shut off water.
2. Press Lever to relieve pressure.
(See Fig 1)
3. Disconnect inlet hose and hose to the back of the bowl from Valve.
(See Fig 2)
4. Remove two screws holding the Valve and remove Valve.(See Fig 3)



Assembly

5. Install Valve.
 - Pull Lever forward to clear Valve
 - Make certain screw are in forward holes (See Fig 3)
6. Reconnect hoses.
 - Take Care not to over-tighten inlet fitting when installing in Valve.
7. Turn on water and check for leaks.



www.raritaneng.com

PH: 856 825 4900

L558 vkm1114