

## MANAGERM

### Type II MSD



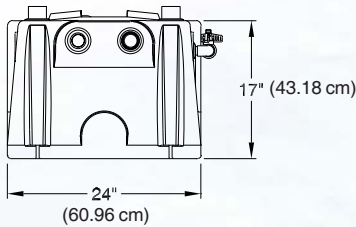
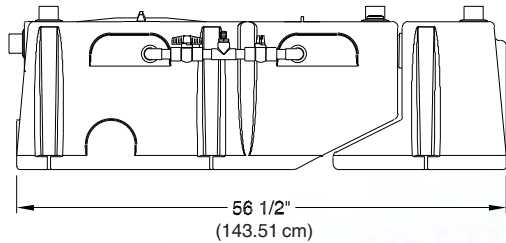
Effective reliable treatment of onboard sewage for up to 12 persons per day. The Managerm is an aerobic biological sewage treatment system. The System uses air, water and the natural occurring bacteria to biologically convert waste to water and carbon dioxide (a harmless odorless gas)

- Kit now available for mounting below waterline
- Special tablets available for overseas ordering of Managerm
- USCG Certified Type II Marine Sanitation Device also compliant with IMO Resolution MEPC2(VI)
- Tank constructed of lightweight corrosion resistant polyethylene
- Easy installation - Simple maintenance
- No foul odors
- No moving parts in contact with sewage
- Quiet, durable aeration pump included
- Low cost
- Uses very little electricity
- Operates with fresh, brackish and salt water
- No special tools are required for installation
- For use on inspected and uninspected vessels
- Works best with macerating toilets

*Raritan products are chosen by powerboat, sailboat, houseboat, and RV owners and manufacturers the world over for their dependability, environmental responsibility, simplicity of installation, operation, and maintenance. The product line includes house-hold style toilets, marine toilets, marine sanitation devices and systems, cleaning products, icemakers, water heaters, and rudder angle indicators.*

*To view our complete line as well as obtain installation and servicing guides: visit [www.raritaneng.com](http://www.raritaneng.com)*

# MANAGERM



## Specifications

**MODEL # 6400121(120V) - # 6400122 (230 V)**

When ordering overseas use:

**MODEL #6400121P70 (120V) - #6400122P70 (230 V)**

**Note: Add B to the end of any part number above if unit will be installed below the waterline.**

- Capacity - 12 persons/day
- Weight - Dry - 100 lbs. (45.36 Kg)  
Wet - 575 lbs. (260.8 Kg)
- Water - Salt, Fresh or Brackish.  
(Salt content must not exceed 4%)
- Ambient Temperature Operating range -  
Min. 40°F (4.5°C)  
Max. 120°F (49°C)
- Electrical - Aeration pump -  
120 VAC 1 amp. 50/60 HZ  
240 VAC .5 amp 50 HZ

## Operation

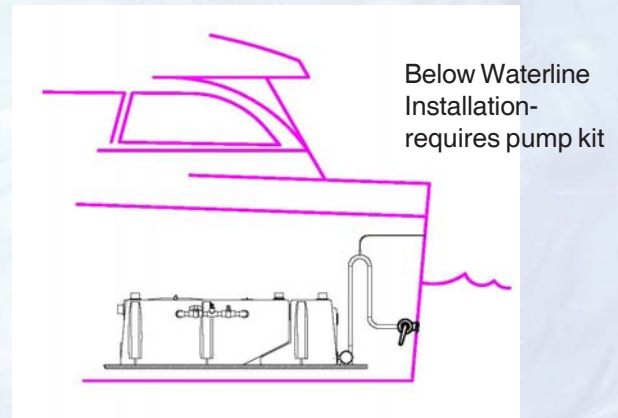
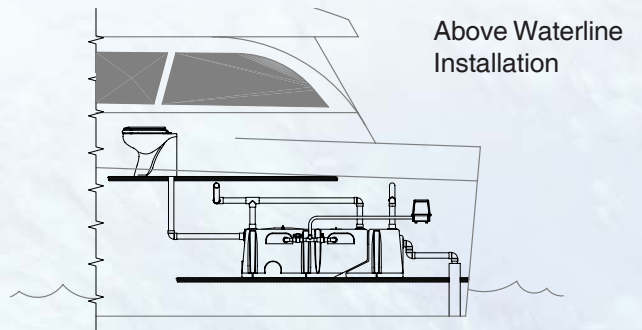
The ManaGerM is a flow through system for black water only. It is an extended aeration bioreactor with a secondary disinfecting tank.

The ManaGerM has two tanks. The first tank has two chambers - the first chamber converts waste into water (H<sub>2</sub>O) and carbon dioxide (CO<sub>2</sub>) - the second chamber allows solids to settle and clarified water to pass on to the secondary tank,

Water displaced from the first tank moves through the tablet dispenser and into the secondary tank where disinfection takes place.

The ManaGerM works best with macerating and educator (jet-type) toilets.

## Sample Installations



For more information contact:

**Raritan Engineering Company Inc.**  
530 Orange Street  
Millville, NJ 08332, USA  
Telephone: 856-825-4900  
Fax: 856-825-4409  
e-mail: [info@raritaneng.com](mailto:info@raritaneng.com)

**Southern Plant and Office**  
3101 SW 2nd Avenue  
Ft. Lauderdale, FL 33315, USA  
Telephone: 954-525-0378  
Fax: 954-764-4370



[raritaneng.com](http://raritaneng.com)