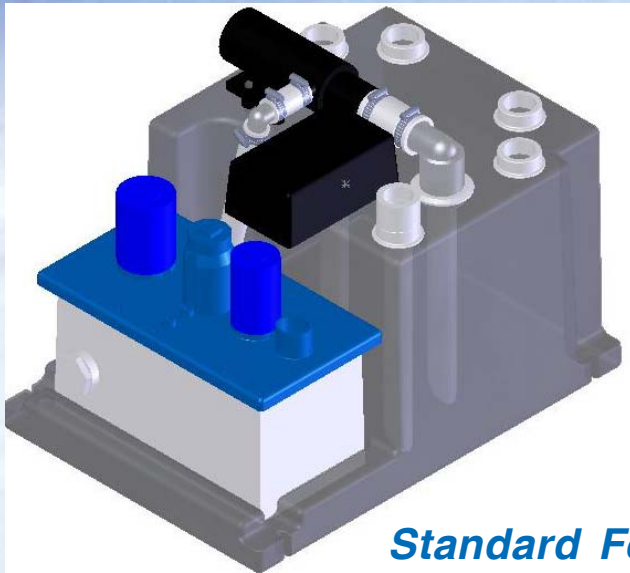




# RARITAN

The Most Dependable Name on the Water



## HOLD N' TREAT SYSTEM

A 15 gallon holding tank combined with the Electroscan Type I MSD capable of processing up to 140 gallons of waste per week.

### Standard Features

- Satisfies discharge regulations in all U.S. waters
- One micro controller controls and displays status of system
- Uses reliable low-pressure tank level sensor
- System fully lockable, to prevent discharge
- LCD panel indicates system status at all times
- Complete “drop in place” system
- Combination Type I and Type III MSD System
- Display message and warning light when tank is almost full

### Benefits

- Ultimate flexibility with deck pump-out or treated discharge
- Operates with sea or fresh water toilets
- Automatic mode, allows previously “held” waste to be processed and discharged overboard
- Hold mode, for delicate and no discharge areas
- Easy to clean and maintain
- Can be used with multiple toilets

### Options

- Salt feed injection kit for fresh water use
- Available in 12 and 24V DC

### NEW

Total onboard, environmentally friendly, waste management system utilizing the best available Type I MSD treatment technology, legal for use in all waters.

*Raritan products are chosen by powerboat, sailboat, houseboat, and RV owners and manufacturers the world over for their dependability, environmental responsibility, simplicity of installation, operation, and maintenance. The product line includes house-hold style toilets, marine toilets, marine sanitation devices and systems, cleaning products, icemakers, water heaters, and rudder angle indicators.*

To view our complete line as well as obtain installation and servicing guides: visit [www.raritaneng.com](http://www.raritaneng.com)

## Hold n' Treat System

### Hold n' Treat System Complete - Part # 21S1512 - 15 gallon holding tank with Electro Scan Type I MSD.

The Federal Water Pollution Control Act of 1972 prohibits the discharge of raw sewage from vessels navigating in the waters of the United States. The law provides three sewage disposal alternatives;

- (1) raw sewage may be retained on board and subsequently transferred to pump-out facilities on shore for delivery to a sewage treatment plant (A Type III Device)
- (2) it may be processed through a Coast Guard approved on board marine sanitation device (MSD) and the treated waste discharged overboard (Type I and Type II Devices) or,
- (3) it may be discharged into the sea when outside the three mile limit (in some cases as far as 9 miles).

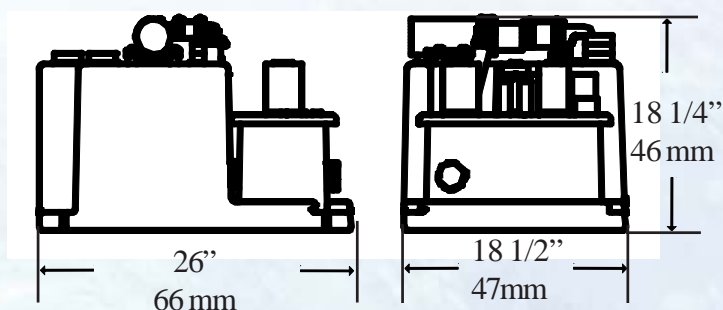
The efficacy of sewage treatment and the "purity" of sea water for purposes including swimming and the harvesting of shellfish for human consumption is typically measured by the number of coliform bacteria present in a 100 milliliter (approximately 3 ounce) sample of water. Existing Coast Guard and EPA regulations allow MSDs to treat waste to a 1,000 coliform per 100ml standard. In general, the sea at bathing beaches is considered safe for swimming when it contains up to 200 coliform per 100 ml. Shellfish harvested for human consumption may be harvested from waters containing up to 14

coliform per 100 ml. The current Type I included with this system treats to a level of 10 coliform per 100 ml.

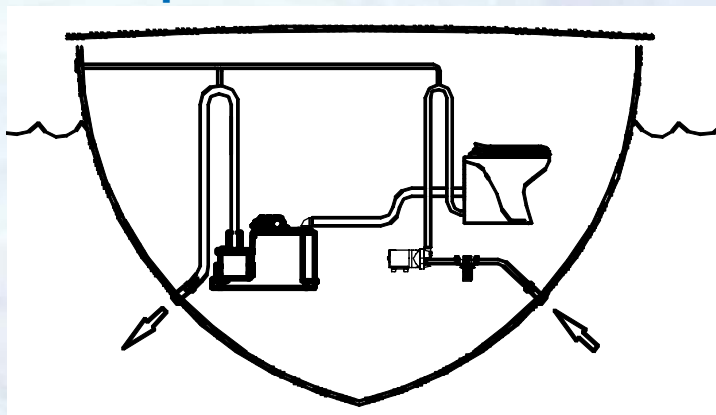
This degree of water purity often surpasses that of the water in which the boat is floating. Achievement of this level of treatment assures that even prior to the massive dilution that occurs immediately upon discharge of the treated effluent (dilution in excess of 10,000:1 within minutes) there can be no detrimental effect on the environment.

This system is small enough for installation in almost any vessel, moderately priced, reliable and self monitoring. Improvements in the control and operation of the Type I device assure quality and reliable treatment.

## Dimensions



## Sample Installation



contact:  
Raritan Engineering Company Inc.  
530 Orange Street  
Millville, NJ 08332, USA  
Telephone: 856-825-4900  
Fax: 856-825-4409  
e-mail: info@raritaneng.com

Southern Plant and Office  
3101 SW 2nd Avenue  
Ft. Lauderdale, FL 33315, USA  
Telephone: 954-525-0378  
Fax: 954-764-4370

[raritaneng.com](http://raritaneng.com)